

Note:
This manual is carefully checked, in case there is any printing errors or misunderstandings on the content, the company reserves the power of interpretation.

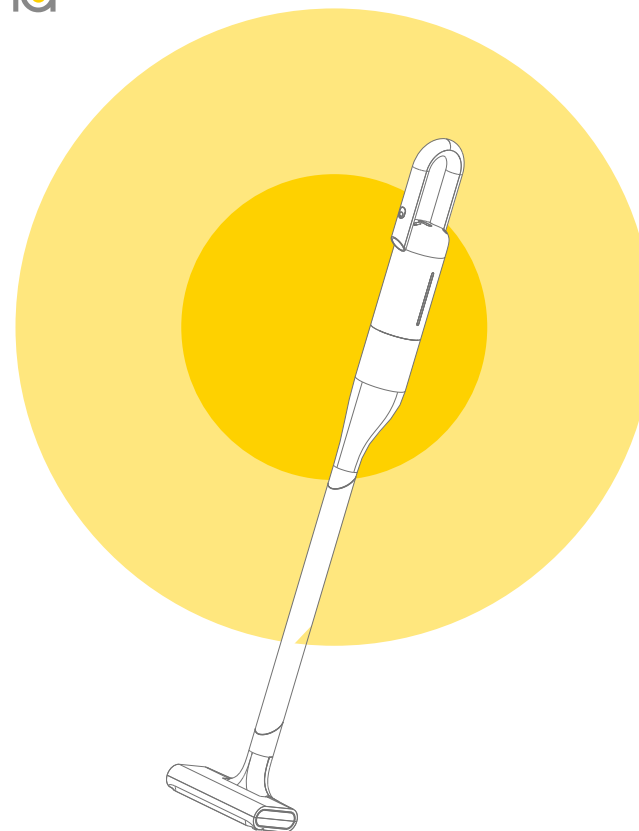
If there is any change in product function, appearance or color, without prior notice, product appearance depends on goods.

deerma

Foshan Shunde Deerma Electric Appliance Co., Ltd.
Add.No.4-1 Longhui Road, Malong Village Committee, Beijiao, Shunde, Foshan City, Guangdong, China

deerma

EN



Deerma Handheld Wireless Vacuum Cleaner

Continuous large suction can take away the dust
It is great at picking up fine dust rapidly and flexibly for each corner.
It is effective storing the dust not backflow to give you a clean living area.

VC01

Thank you for purchasing this product. Please read the instruction carefully before using, to ensure safety.
Deerma product will bring you and your family's life more fun and delicacy!

Brand Introduction

Deerma is an innovative electrical appliance brand that is dedicated to design, production and sales of household appliances. Founded in 2011, through direct industry chain control and precise selection strategy, Deerma can produce well-designed, reliable and cost-effective small home appliances .

Since its establishment in 2011, Deerma has been highly recognized and loved by consumers. Its strong research – production–sales power enables it to win the “iF Product Design Award” and “AWE Award”, and enter the shortlist of China’s “Top 100 Online Brands” and “Popular Online Household Appliances”. And has won many special honours, such as “Guangdong Top 500 Enterprises”, “Guangdong Manufacturing Top 100 Enterprises”, “Guangdong High-tech Products”, “Guangdong Outstanding Independent Brands” and “Guangdong Top 100 Circulation Enterprises”.

Our featured products, including humidifier and stick vacuum cleaner, have grown to be the benchmark of this industry. Now Deerma has been introduced to nearly 200 platforms, including major Chinese E-commerce platforms, gift-giving platforms, bank malls and points-based malls. As for the global market, our products have been sold to more than 130 countries in Americas, Europe and Southeast Asia, providing global users with more valuable products.

With “good design, high quality and favorable price” in mind, Deerma provides customers with elegant, high-performance and high value-added products that are well designed in terms of the appearance, functions, quality and applications, striving to meet users’ demand for better life. Deerma will always provide customers with high-quality household appliances and contribute its share in improving users’ lives.



TABLE OF CONTENT

EN	01-10
PL	11-17
RU	18-29

Safety Precautions

Standing

1. Please handle the vacuum cleaner with care to avoid impact;
2. Never place the vacuum cleaner too close to the fire source and at other places where the temperature is high;
3. Never place the vacuum cleaner under extreme unfavorable conditions for use and storage, such as extreme temperature, etc. It is recommended to operate the vacuum cleaner in indoor ambient temperature of 0 – 35°C. Please store the vacuum cleaner in a cool and dry place;
4. If the vacuum cleaner is stored for a long time, it is recommended to charge the battery every three months.

Before operation

1. Please check whether the USB cable of the adapter is intact before charging;
2. After storage for a long time, please fully charge the battery before use;
3. Make sure the filter element is installed properly when operating the vacuum cleaner for the first time or replacing the specified filter element.

During operation

1. Never operate the vacuum cleaner under inflammable and explosive gas;
2. Never remove detergent, kerosene, glass debris, needles, wet dust, sewage, matches and other items with the vacuum cleaner;
3. Never remove tiny particles such as cement, gypsum powder and wall powder, or large objects such as toys and spitballs with the vacuum cleaner, to avoid any faults to the vacuum cleaner;
4. Never remove water or other liquids with the vacuum cleaner, and never rinse the vacuum cleaner with water so as to avoid short circuit;
5. If the battery is fully charged but the vacuum cleaner still fails to work, the vacuum cleaner must be inspected and repaired at the designated maintenance place. Never disassemble and assemble the vacuum cleaner without permission;
6. Operating the vacuum cleaner without the dust cup will be strictly prohibited;
7. Never allow children or people who are incapacitated or mentally disabled to operate the vacuum cleaner;

Cleaning and Maintenance

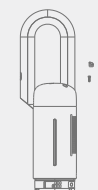
1. Please clean the vacuum cleaner with dry cloth. The chemical solvents such as gasoline, alcohol and banana oil shall not be used, otherwise the shell will be cracked or discolored;
2. Please turn off the vacuum cleaner if cleaning and maintenance are necessary;
3. If there is more debris in the dust cup, please remove such debris in time to ensure smooth ventilation path and avoid blocking that may lead to suction reduction or motor heating;
4. It is recommended to replace the filter element every three months. If the vacuum cleaner is frequently used, the replacement period may be shortened according to the actual usage

Notes for Use of Power Supply

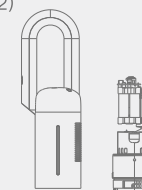
1. When charging, the vacuum cleaner is in standby state and cannot be operated normally;
2. The waste battery packs should be safely recycled for disposal; they shall not be discarded at will;
 - When discarding the product, remove the battery from the product;
 - The product must be powered off when the battery is removed;
 - The battery should be disposed safely.
3. If the power cord is damaged, it must be replaced with dedicated cord or dedicated subassembly purchased from the manufacturer or service department

Scrapping Method

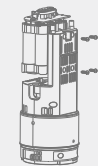
(Figure1-1)



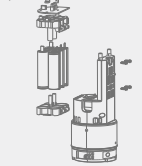
(Figure1-2)



(Figure1-3)



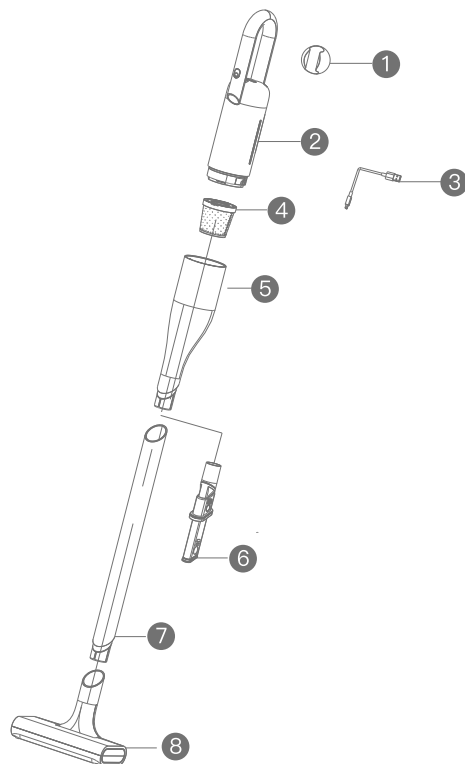
(Figure1-4)



1. Remove the silica gel pad of the screw hole on the top of the main engine, and use a special screwdriver to remove the three screws of the main engine as shown in Figure 1-1.
2. See Figure 1-2 for the separation of the shell and interior of the main engine.
3. Use a special screwdriver to remove the four screws on the side which are used to fix the battery pack, as shown in Figure 1-3.
4. Use a special screwdriver to remove the two screws on the top of the battery pack, and use scissors to cut tinfoil which is used to connect the four battery, at this time, the battery can be separated and discarded, as shown in Figure 1-4.

Product Parts

Schematic Diagram and Assembly of Product Parts



After unpacking, please check the contents for any defects. If yes, please contact the after-sales service staff as follows:

- ① Main engine silicone rack ② Main engine ③ Type-C charging line ④ Filtering assembly
 ⑤ Dust bucket assembly ⑥ Two-in-one long flat suction ⑦ Connecting tube ⑧ Ground brush assembly

Note: The above specifications and configurations may be different from that of the product purchased, please refer to the product purchased.

Technical parameter of product

a. Parameters

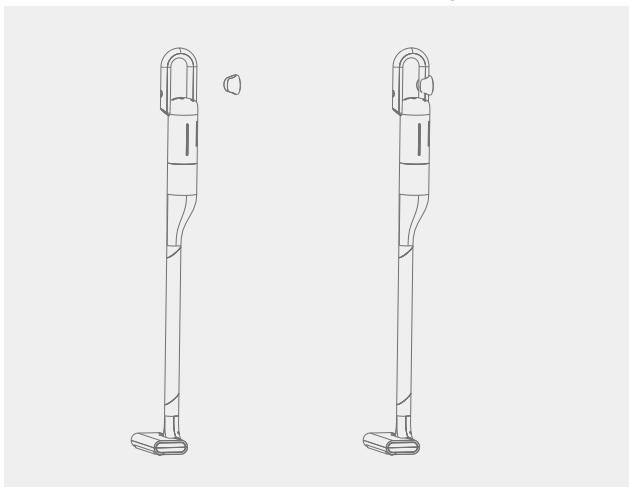
Name	Handheld wireless vacuum cleaner	Model	VC01
Rated voltage	14.4V \pm	Rated power	125W
Capacity of lithium battery	2200mAh	Size	210x180x1155mm
Limited voltage for charging	5V \pm	Charging current	1A/2A/2.5A/3A
Weight	1.6kg	Volume capacity of dust cup	0.6L
Duration(Standard/high-speed)	About 30min/15min	Material	ABS
Noise	\leq 80dB(A)		

b. Product characteristics

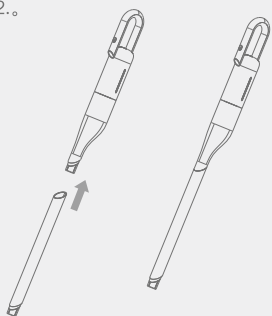
- 1.The appearance of the product is novel and fashionable. The floor brush is connected with the machine through a plastic pipe;
- 2.Combined type, the push rod and handle are integrated together, the floor brush part is detachable, and the main engine can be used with other accessories to achieve multi-functional requirements;
- 3.The multiple filtration system of "Cyclone + HEPA" has not only high efficiency of dust filtration but also cleanliness;
- 4.The buckle structure for the dust cup and the main engine are easy to separate and convenient for pouring dust;
- 5.Wireless charging type machine is not only easy to use but also avoid the defects such as jamming wire and changing socket, so it can be used to clean at any time and anywhere;
- 6.Plastic pipe for connection;

Instructions

Remove the sticker from the rear of the main engine rack, and paste it on the wall at a height equal to the handle. Insert the machine into the rack as shown in the figure.



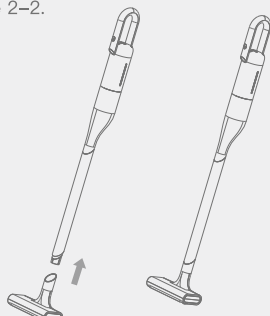
1. Insert the connecting assembly (Figure 1-1) into the docking position of the main engine according to the direction shown in the figure, pay attention to the matching connection of the two inclined planes, and ensure that it is installed in place, as shown in Figure 1-2.



(Figure1-1)

(Figure1-2)

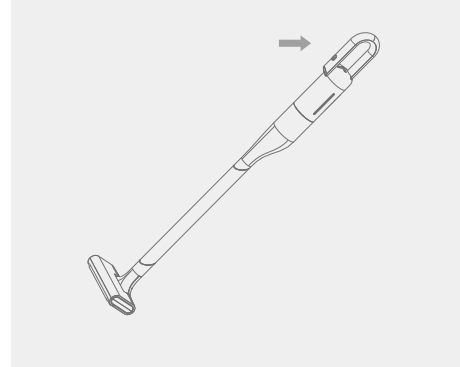
2. Mount the floor brush assembly (Figure 2-1) on the connecting pipe according to the direction shown in the figure, pay attention to the matching connection between the two inclined surfaces, and ensure that it is installed in place, as shown in Figure 2-2.



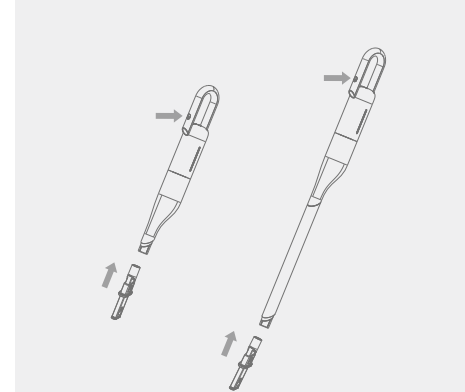
(Figure2-1)

(Figure2-2)

3. Press the power button to start the vacuum cleaner, the vacuum cleaner will enter the standard vacuum mode, then press it again, the vacuum cleaner will enter the strong vacuum mode, finally press it once more, the vacuum cleaner will enter the shutdown mode. repeatedly press the power button, the vacuum mode can be switched back and forth.



4. According to the direction shown in the figure, insert the 2 in 1 flat suction into the interface direction of the main engine or connecting assembly according to the actual demand, and press power on to start the machine to realize different functional requirements after it is confirmed that the connection is firm.



Cleaning and Maintenance

Removal, cleaning and installation of dust cup

1. Rotate the dust cup according to the direction shown in the figure, take out the dust cup from the position the triangle arrow that points to .
2. Separate the dust bucket from the main engine according to the direction shown in the figure. At this time, dust can be poured out of the dust cup for cleaning.

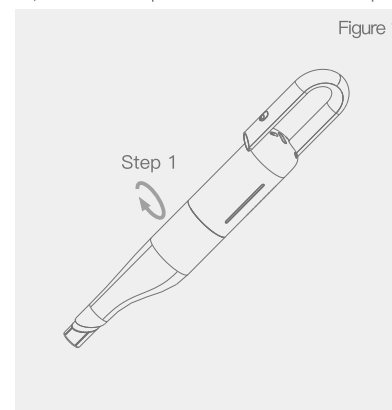


Figure 1

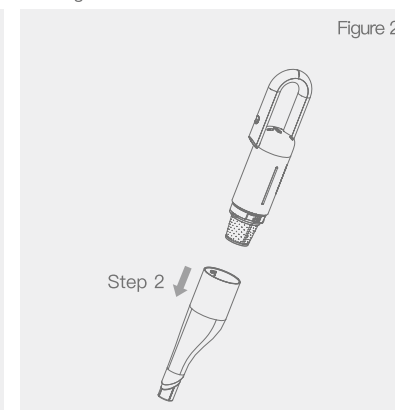
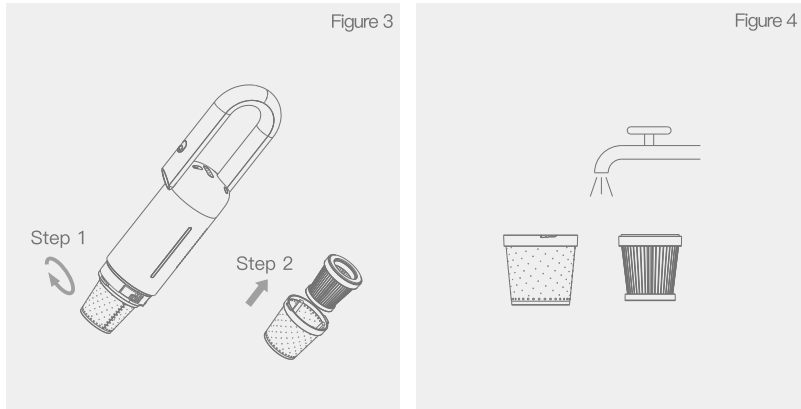
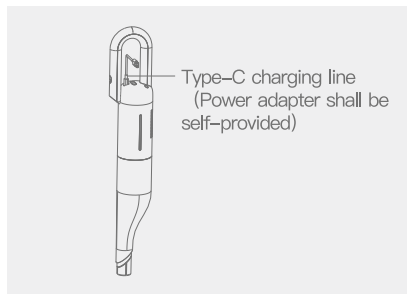


Figure 2

3. Rotate the filter assembly in the direction shown in the figure, and then take out it.
4. Rinse the filter assembly directly with water after cleaning and dry it before use.



Charging Mode



1. Charging: Four LED indicator lamps will be blue alternatively. According to the charging progress, one LED indicator lamp will be always blue once the battery level reaches 25%, two LED indicator lamps will be always blue once the battery level reaches 50%, three LED indicator lamps will be always blue once the battery level reaches 75%, four LED indicator lamps will be always blue and charging is automatically stopped once the battery level reaches 100%. It goes out when the over-discharge protection value is reached.
2. In case of power shortage: four LED indicator lamps are on and the red lamp flashes for 3S.

Charging hour:

1. Charging time at 1A: ≤8.5 hours
2. Charging time at 2A: ≤4.5 hours
3. Charging time at 2.5A: ≤3.5 hours
4. Charging time at 3A: ≤3.0 hours

Display Status of Indicator

There are 4 indicator lamps. The blue one is always on after the machine is turned on. The indicator lamps will be on for 3 seconds and then off after the machine is turned off to indicate standby;

When the first blue lamp from top to bottom is off, it means that 25% of the power has been consumed;

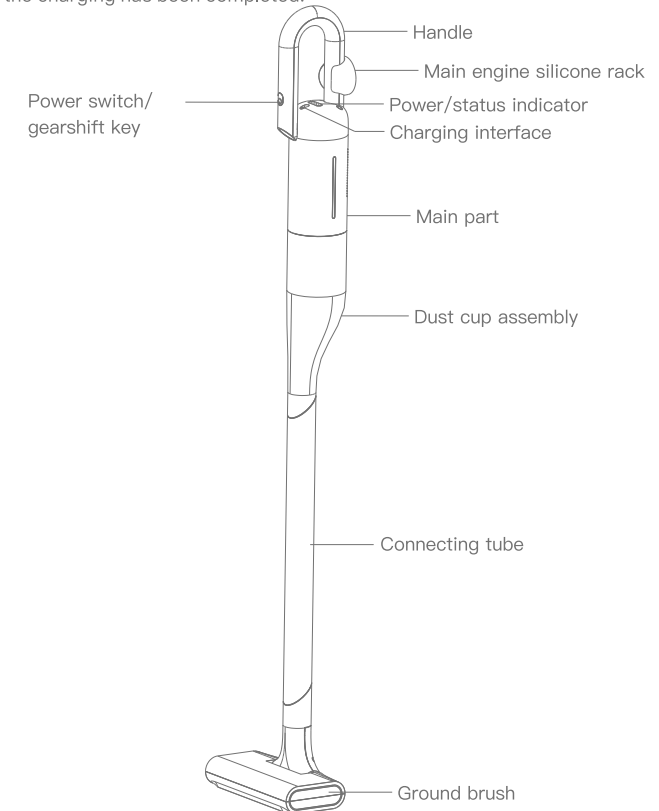
When the second blue lamp from top to bottom is off, it means that 50% of the power has been consumed;

When the third blue lamp from top to bottom is off, it means that 75% of the power has been consumed;

When the fourth blue lamp from top to bottom is off, it means that the power has been completely consumed;

If you forcibly turn on the machine after the battery is used up, the 4 indicator lamps will flash red 3 times at the same time, indicating that the machine can be used after charging;

Four LED indicator lamps will be blue alternatively from bottom to top. According to the charging progress, one LED indicator lamp will be always blue once the battery level reaches 25%, two LED indicator lamps will be always blue once the battery level reaches 50%, three LED indicator lamps will be always blue once the battery level reaches 75%, and four LED indicator lamps will be always blue once the battery level reaches 100% and the charging has been completed.



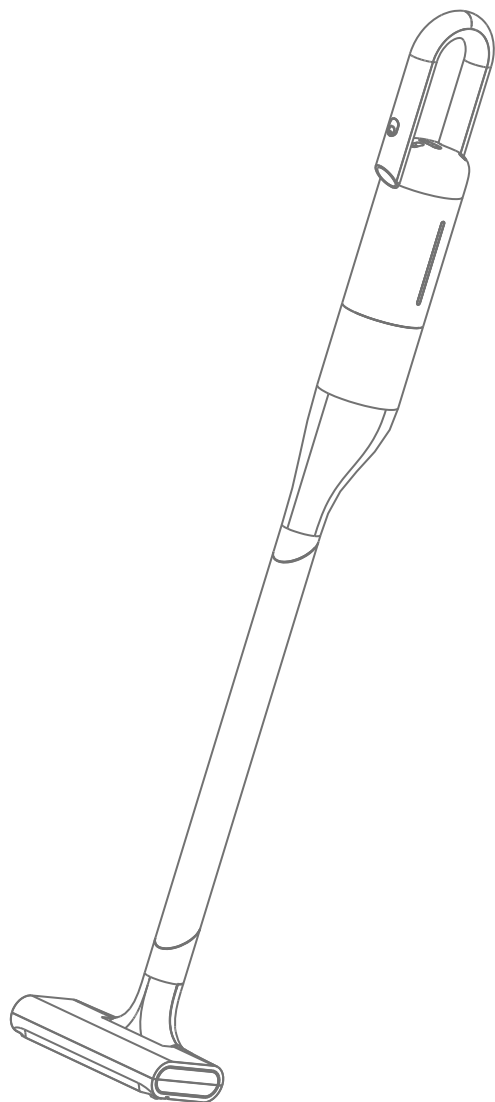
Analysis and Solution to Faults

Faults	Causes	Solution
The motor fails to work	<ol style="list-style-type: none"> 1.Low battery level; 2.The dust cup is full of dust; 3.Excessively long operation and excessively high temperature; 	<ol style="list-style-type: none"> 1.Charge the battery of the vacuum cleaner; 2.Clean the duct cup; 3.After standing and cooling, restart the machine for operation;
Suction reduction	<ol style="list-style-type: none"> 1.The filter element is full of dust; 2.The air inlet pipe of the floor brush is blocked or the floor brush is locked; 3.The metal mesh is blocked by scraps of paper or plush fibers; 4.The transmission duct between the dust cup and the machine is blocked; 	<ol style="list-style-type: none"> 1.Clean or replace the filter element; 2.Remove the debris attached in the electric floor brush; 3.Regularly check the metal mesh to see if filled with dust; 4.Regularly check the transmission duct between the dust cup and the machine for any debris;
The indicator lamp is not on or fails to flash when charging	<ol style="list-style-type: none"> 1.The adapter is not plugged in place 2.Battery temperature too high 	<ol style="list-style-type: none"> 1.Check whether the adapter is plugged properly 2.Wait for the battery to cool down before charging

Note: If the vacuum cleaner cannot be operated normally, please perform troubleshooting by yourself or contact the customer service staff in time.

Fault Mode

Causes	Solution
Temperature protection during charging	The blue lamp flashes at 3Hz for 3 hours, and the temperature does not drop to the recovery temperature. But the blue lamp goes out
Charging in temperature protection	During the charging process, the blue lamp flashes at 1Hz (fake charge), and the temperature does not drop to the recovery temperature after 3 hours. But the blue lamp goes out
The temperature protection for charging is recovered	When the temperature drops to the recovery temperature, the battery will automatically resume charging, and the blue lamp will flash at 1Hz
Discharge temperature protection	The machine is shut down, LED doesn't indicate the status
Press the button after over-discharge protection and when there is no charging after protection	The blue lamp flashes at 3Hz for 3 seconds, and the key within the 3 seconds is invalid
Output short circuit protection	The blue lamp flashes at 3Hz for 6 seconds, and the key within the 6 seconds is invalid
Output over-current protection	The blue lamp flashes at 3Hz for 10 seconds, and the key within the 10 seconds is invalid
Discharge	The blue lamp is on while discharging, and the 1Hz lamp flashes when voltage is under 19.2V
The short circuit protection of main engine	The blue lamp flashes quickly for 6 seconds, and the key within the 6 seconds is invalid



VC01 Odkurzacz Bezprzewodowy

Instrukcja obsługi

Przeczytaj uważnie instrukcję.

Dziękujemy za dokonanie zakupu.

Prosimy o zapoznanie się z niniejszą instrukcją przed rozpoczęciem korzystania z produktu i zachowanie jej w celu późniejszego skorzystania.

Zdjęcia i informacje zawarte w niniejszej instrukcji mają charakter wyłącznie poglądowy i mogą nie odzwierciedlać w pełni rzeczywistego produktu.

Nasze produkty mogą ulec zmianie bez uprzedniego powiadomienia.

O marce

Deerma Electric Appliances to zorientowana na produkcję, podlegająca Foshan Flying Fish E-Commerce Co. Ltd., firma, produkująca urządzenia elektryczne w ramach modelu e-commerce, która była współfinansowana przez wiele potężnych firm Dłty Rzeki Perłowej.

Wykorzystując internet jako główny kanał sprzedaży dostarcza stylowe, wysokiej jakości urządzenia użytkownikom na całym świecie.

Marka Deerma powstała z chęci dążenia do lepszej jakości życia. Produkty to głównie urządzenia tzw. małego gospodarstwa domowego, w tym nawilżacze i oczyszczacze powietrza, odkurzacze, suszarki, piekarniki elektryczne itp. Plany na najbliższą przyszłość obejmują powstanie jeszcze większej liczby produktów oraz poszerzenie obszaru sprzedaży do ponad dziesięciu krajów i regionów na całym świecie, by móc dawać radość i móc uczynić wygodnym życie jak największej liczby ludzi.

Naszym priorytetem jest nie tylko minimalistyczny design naszych produktów, ale również ich wysoka jakość wykonania.

Deerma kładzie nacisk na ścisłą kontrolę wszystkich aspektów produkcji, sprzedaży i obsługi posprzedażowej, by zapewnić wysoką jakość produktów i dbać o środowisko naturalne. Deerma wzmacnia również współpracę z partnerami strategicznymi dzięki koncepcji „pragmatycznej i korzystnej dla wszystkich współpracy”, zbiera i gromadzi niezbędne zasoby oraz buduje wiodącą na rynku markę urządzeń lifestyle'owych.

Uwaga

1. Produkt nie jest przeznaczony do użytku przez osoby (w tym dzieci) o ograniczonych zdolnościach fizycznych, sensorycznych lub umysłowych, jak również nie mające doświadczenia i wiedzy, chyba że otrzymały one precyzyjne instrukcje dotyczące korzystania z urządzenia od osoby odpowiedzialnej za ich bezpieczeństwo.
2. Produkt ten nie jest zabawką. Dzieci używające produktu powinny pozostawać pod nadzorem opiekunów.
3. Urządzenie powinno być zasilane wyłącznie bezpiecznym napięciem, wskazanym na tabliczce znamionowej.
4. Urządzenie wyposażone jest w akumulator, którego wymiany może dokonać wyłącznie wykwalifikowany personel.
5. Przed rozpoczęciem czyszczenia i/lub konserwacji, należy odłączyć urządzenie od źródła zasilania.

Środki ostrożności

Podstawy

1. Obchodź się z urządzeniem ostrożnie, nie dopuszczaj do uderzeń lub upadku.
2. Trzymaj urządzenie z dala od ognia i źródeł ciepła.
3. Nie używaj, ani nie przechowuj urządzenia w skrajnie niekorzystnych warunkach, np. w ekstremalnych temperaturach. Zalecany zakres temperatur to 0–35°C. Przechowuj urządzenie w suchym i chłodnym miejscu.
4. Ładuj urządzenie raz na trzy miesiące, jeśli nie jest używane przez dłuższy czas.

Przed użyciem

1. Przed naładowaniem urządzenia sprawdź, czy zasilacz i przewód zasilający nie są uszkodzone.
2. Po dłuższym okresie nieużywania, przed użyciem naładuj akumulator do pełna.
3. Przed pierwszym użyciem lub po wymianie filtra upewnij się, że został on prawidłowo zamontowany.

Podczas użytkowania

1. Nie włączaj urządzenia w obecności łatwopalnych lub wybuchowych gazów.
2. Nie odkurzaj detergentów, nafty, potłuczonego szkła, igieł, mokrego kurzu, zapalek itp.
3. Nie odkurzaj bardzo drobnych (np. cementu, gipsu, wapna) lub bardzo dużych przedmiotów (np. zabawek, kulek papierowych), może to doprowadzić do uszkodzenia.
4. Nie odkurzaj wody ani innych płynów, nie czyść urządzenia wodą, ponieważ może to spowodować zwarcie.
5. Każde naładowane w pełni urządzenie, które nie działa prawidłowo, powinno zostać zdiagnozowane i naprawione w autoryzowanym punkcie serwisowym. Nigdy nie próbuj rozbierać i naprawiać urządzenia samodzielnie.
6. Nie używaj urządzenia bez zbiornika na kurz.
7. Nigdy nie pozwalaj używać urządzenia dzieciom i osobom upośledzonym umysłowo.

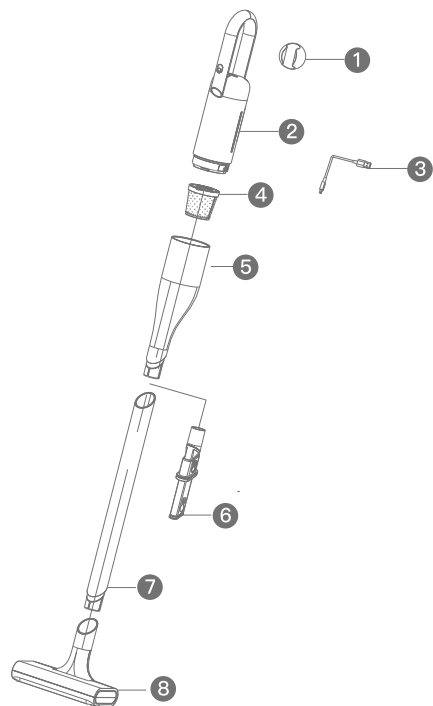
Czyszczenie i konserwacja

1. Czyść urządzenie suchą szmatką, nie używaj rozpuszczalników, takich jak benzyna czy alkohol, bo może to spowodować pęknięcia obudowy lub blaknięcie kolorów.
2. Wyłącz urządzenie przed jego czyszczeniem i konserwacją.
3. Regularnie opróżniaj pojemnik z gromadzących się w nim odpadów, aby zapewnić płynny przepływ powietrza, by zapobiec obniżeniu siły ssania i przegrzaniu silnika spowodowanych zatkaniami się odkurzacza.
4. Wymieniaj filtr co 3 miesiące. Przy częstym użytkowaniu filtr może wymagać częstszej wymiany.

Zalecenia dotyczące ładowania

1. Podczas ładowania urządzenie jest w stanie gotowości i nie można z niego korzystać.
2. Zużyte akumulatory należy poddać recyklingowi, nie należy ich wyrzucać.
3. Jeżeli przewód zasilający jest uszkodzony powinien zostać wymieniony.

Budowa odkurzacza



1. Silikonowy uchwyt
2. Jednostka główna
3. Przewód ładowania typu „C”
4. Blok filtra
5. Zbiornik na kurz
6. Ssawka szczelinowa 2-w-1
7. Rura
8. Szczotka

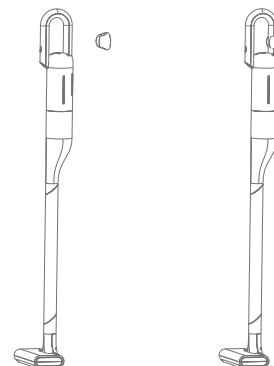
Uwaga: powyższa specyfikacja może się różnić od zakupionego produktu.

Parametry techniczne

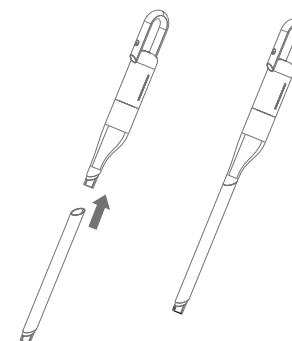
Model:	VC01
Napięcie znamionowe:	14,4 V ~
Moc znamionowa:	125 W
Pojemność akumulatora:	2200 mAh
Napięcie ładowania:	5V ~
Natężenie ładowania:	1A/2A/2,5A/3A
Wymiary:	210 x 180 x 1155 mm
Waga:	1,6 kg
Czas pracy	
w trybie standardowym:	ok. 30 minut
w trybie wysokiej wydajności:	ok. 15 minut
Poziom hałasu: ≤80 Db(A)	
Pojemność zbiornika na kurz: 0,6 l	
Materiał wykonania: ABS	

Korzystanie z odkurzacza

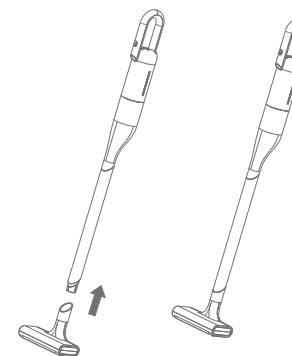
1. Usuń folię z tylnej części silikonowego uchwytu i przyklej go do ściany na wysokości uchwytu jednostki głównej. Wsuń urządzenie w uchwyt, jak pokazano na rysunku.



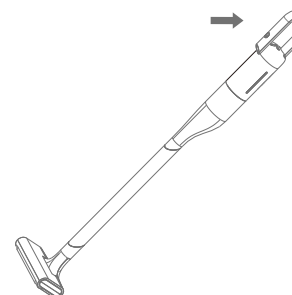
2. Połącz rurę z jednostką główną w sposób pokazany na rysunku. Zwróć uwagę na prawidłowe połączenie nachylonych płaszczyzn i upewnij się, że połączenie jest stabilne.



3. Połącz szczotkę z rurą w sposób pokazany na rysunku. Zwróć uwagę na prawidłowe połączenie nachylonych płaszczyzn i upewnij się, że połączenie jest stabilne.

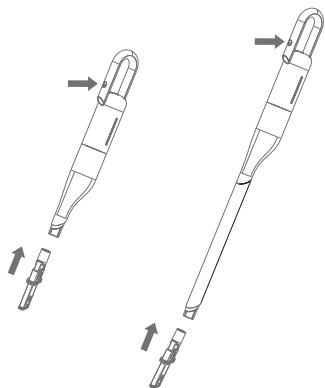


4. Naciśnij przycisk POWER, by włączyć odkurzacza. Odkurzacza uruchomi się w trybie standardowym. Naciśnij przycisk ponownie, by przejść w tryb wysokiej wydajności. Naciśnij go po raz trzeci, by wyłączyć odkurzacza.



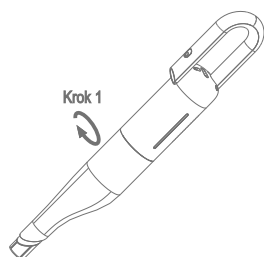
UWAGA! Długotrwałe korzystanie z trybu wysokiej wydajności może doprowadzić do uszkodzenia sprzętu i utraty gwarancji. Należy korzystać z niego maksymalnie przez kilka minut, gdy sprzątanie w trybie standardowym okaże się nieskuteczne.

5. W razie potrzeby podłącz ssawkę szczelinową 2-w-1 bezpośrednio do jednostki głównej lub rury.

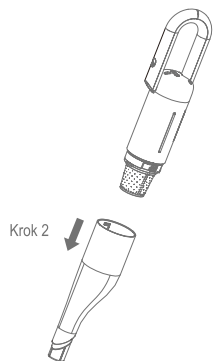


Demontaż i czyszczenie zbiornika na kurz

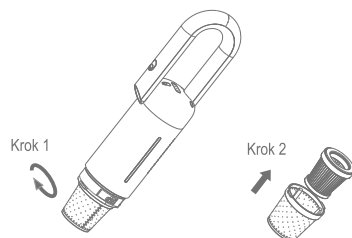
1. Przekręć zbiornik na kurz w kierunku wskazanym na rysunku, by symbol trójkąta na obudowie wskazywał



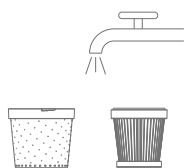
2. Oddziel zbiornik na kurz od jednostki głównej w sposób zaprezentowany na rysunku. Oddzielony zbiornik można opróżnić.



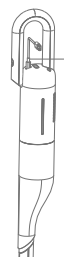
3. Przekręć blok filtra w kierunku wskazanym na rysunku i wyjmij go.



4. Umyj blok filtra pod bieżącą wodą. Wysusz go dokładnie przed kolejnym użyciem.



Ładowanie



Przewód ładowania typu „C”
(Ładowarka nie jest elementem zestawu)

Urządzenie wyposażone jest w cztery diody LED. Niebieska świeci się w sposób ciągły po włączeniu urządzenia. Po wyłączeniu odkurzacza diody będą świecić się przez trzy sekundy potwierdzając przejście w stan wstrzymania.

Podczas ładowania cztery diody LED będą migać na niebiesko. Wraz z postępem ładowania, diody będą się zaświecać w sposób ciągły: jedna - gdy akumulator będzie naładowany w 25%, dwie - gdy poziom naładowania osiągnie 50%, trzy - gdy poziom naładowania osiągnie 75%. Gdy sprzęt będzie w pełni naładowany wszystkie diody LED będą świecić się w sposób ciągły.

Podczas korzystania, diody LED będą stopniowo gasnąć. Zgaśnięcie pierwszej informuje, że zużyto 25% energii akumulatora, zgaśnięcie drugiej – zużycie 50%, trzeciej – 75%. Wszystkie diody zgasną, gdy sprzęt będzie całkowicie rozładowany.

Sprzęt zasygnalizuje rozładowanie migającymi na czerwono, przez trzy sekundy, diodami LED podczas próby jego włączenia.

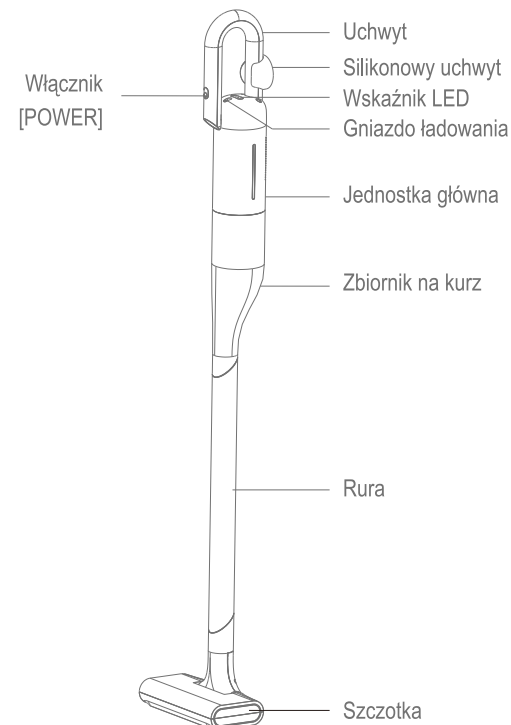
Czas ładowania (zależny od natężenia ładowarki)

8,5 godz. (1A)

4,5 godz. (2A)

3,5 godz. (2,5A)

3 godz. (3A)



Rozwiązywanie problemów

Opis problemu	Prawdopodobna przyczyna	Rozwiązanie
<i>Silnik nie pracuje</i>	Niski poziom baterii.	Naładuj urządzenie.
	Pełny zbiornik.	Opróżnij zbiornik z kurzu.
	Długi czas pracy i wysoka temperatura urządzenia.	Uruchom urządzenie dopiero po jego ostygnięciu.
<i>Obniżona moc ssania</i>	Zbyt dużo kurzu zebrało się na filtrze.	Wyczyść lub wymień element filtra.
	Wlot powietrza przy szczotce jest zatkany lub szczotka jest zablokowana.	Oczyść szczotkę z brudu.
	Skrawki papieru lub wełniane włókna zablokowały metalową siatkę.	Regularnie sprawdzaj czy nic nie blokuje metalowej siatki.
	Kanał powietrzny pomiędzy zbiornikiem na kurz i jednostką główną jest zatkany.	Regularnie sprawdzaj czy nic nie blokuje kanału powietrznego pomiędzy zbiornikiem na kurz i jednostką główną.
<i>Diody LED nie świecą się i nie migają podczas ładowania</i>	Zasilacz nie jest podłączony.	Podłącz prawidłowo zasilacz.
	Temperatura akumulatora jest bardzo wysoka.	Naładuj urządzenie po jego ostygnięciu.

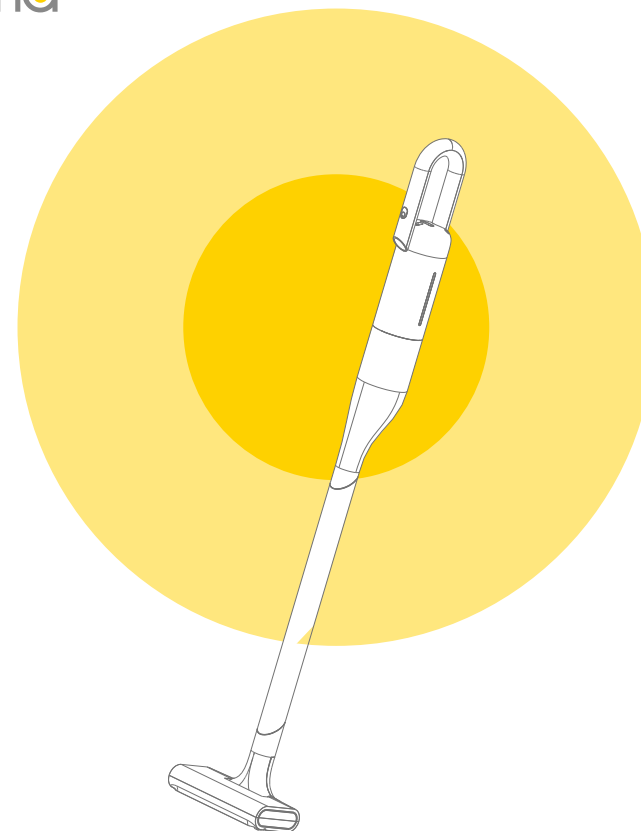
Uwaga: Jeżeli pomimo powyższych wskazówek nie udało Ci się rozwiązać problemu, skontaktuj się z punktem serwisowym. Samodzielne otwieranie urządzenia jest zabronione i będzie skutkować utratą gwarancji.

Ochrona środowiska

Zużyty sprzęt elektroniczny oznakowany zgodnie z dyrektywą Unii Europejskiej, nie może być umieszczany łącznie z innymi odpadami komunalnymi. Podlega on selektywnej zbiórce i recydingowi w wyznaczonych punktach. Zapewniając jego prawidłowe usuwanie, zapobiegasz potencjalnym, negatywnym konsekwencjom dla środowiska naturalnego i zdrowia ludzkiego. System zbierania zużytego sprzętu zgodny jest z lokalnie obowiązującymi przepisami ochrony środowiska dotyczącymi usuwania odpadów.

Szczegółowe informacje na ten temat można uzyskać w urzędzie miejskim, zakładzie oczyszczania lub sklepie, w którym produkt został zakupiony.

Produkt spełnia wymagania dyrektywy tzw. "Nowego Podejścia" Unii Europejskiej (UE), dotyczących zagadnień związanych z bezpieczeństwem użytkownika, ochroną zdrowia i ochroną środowiska, określających zagrożenia, które powinny zostać wykryte i wyeliminowane.



Ручной беспроводной пылесос Deerma VC01

Стабильное мощное всасывание поможет убрать весь дом.

Прекрасно подходит для быстрой уборки мелкой пыли.
Эффективно задерживает пыль, очищая помещения.

VC01

Спасибо за покупку данного продукта. Пожалуйста, внимательно прочитайте инструкцию перед использованием.
Продукт Deerma принесет вам и вашей семье больше радости и изысканности!

Информация о бренде

Deerma Appliances — компания-производитель электротехнического оборудования под руководством Foshan Flying Fish ECommerce Co., Ltd., это совместное предприятие, инвестировано несколькими брендами в районе дельты Жемчужной реки (Китай). Deerma Appliances обеспечивает пользователей по всей стране и за рубежом модными, креативными и экономическими бытовыми приборами.

Идея бренда Deerma – стремление пользователя к качественной жизни. Благодаря мощной научно-производственной базе и системы реализации бренд стал лауреатом премий "iF Product Design Award" (Премия за дизайн продукта iF) и "AWE Award" (Премия AWE), и был включен в конечный список премии "Top 100 Online Brands" (100 лучших брендов онлайн) Китая и "Popular Online Household Appliances" (Популярные бытовые приборы онлайн).

Бренд стал лауреатом многих специальных премий, такой как "Guangdong Top 500 Enterprises" (500 лучших предприятий Гуандун), "Guangdong Manufacturing Top 100 Enterprises" (100 лучших производственных предприятий Гуандун), "Guangdong High-tech Products" (Высокотехнологичные продукты Гуандун), "Guangdong Outstanding Independent Brands" (Выдающиеся независимые бренды Гуандун) и "Guangdong Top 100 Circulation Enterprises" (100 лучших торговых предприятий Гуандун).

С концепцией «прагматическая взаимовыгодное добросовестное сотрудничество» мы будем укреплять стратегическое сотрудничество с партнерами и объединять ресурсы с преимуществами, чтобы создать национальный ведущий бренд высокопрофессиональных электроприборов.

Меры предосторожности

В вертикальном положении

1. Пожалуйста, обращайтесь с пылесосом осторожно, чтобы не повредить его.
2. Не ставьте пылесос слишком близко к источнику огня и других мест высокой температурой.
3. Никогда не кладите пылесос в крайне неблагоприятные условия для использования и хранения, такие как экстремальная температура и т. д. Рекомендуется эксплуатировать пылесос при температуре 0 – 35 °C в помещении. Храните пылесос в прохладном и сухом месте.
4. Если пылесос хранится в течение длительного времени, рекомендуется заряжать аккумулятор каждые три месяца.

Перед уборкой

1. Перед зарядкой проверьте, не поврежден ли кабель USB адаптера.
2. После длительного хранения, пожалуйста, сделайте полную зарядку аккумулятора перед использованием.
3. Убедитесь, что фильтр установлен правильно при первом включении пылесоса или после замены.

Во время уборки

1. Не используйте пылесос у истоков горючих и взрывоопасных газов.
2. Не убирайте моющие средства, керосин, стекло, иглы, влагу, грязь, сточные воды, спички и другие предметы с помощью пылесоса.
3. Не удаляйте крошечные частицы, такие как цемент, гипсовый порошок и стеной порошок, или крупные предметы, такие как игрушки и шарики, с помощью пылесоса, чтобы избежать неисправностей в его работе.
4. При работе с пылесосом не блокируйте всасывающий патрубок и не препятствуйте вращению щетки для пола, чтобы избежать короткого замыкания.
5. Не удаляйте воду или другие жидкости с помощью пылесоса, не ополаскивайте пылесос водой, чтобы избежать короткого замыкания.
6. Если щетка для пола неправильно работает, пожалуйста, выключите его, немедленно проверьте, не намоталось ли волос или других волокон на щетку, очистите ее.
7. Если батарея полностью заряжена, но пылесос не работает, его нужно отремонтировать в специализированном сервисе. Не разбирайте пылесос самостоятельно.
8. Эксплуатация пылесоса без мешка строго запрещена.
9. Не позволяйте детям или людям с ограниченными возможностями и умственными расстройствами пользоваться пылесосом.

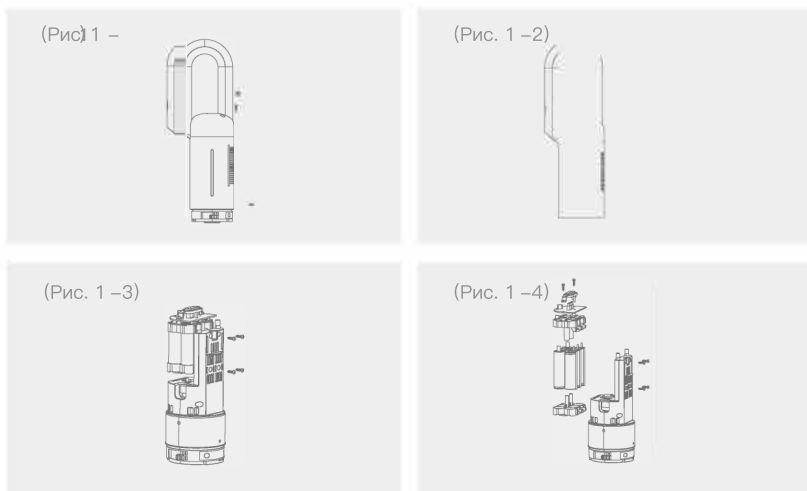
Чистка и уход

1. Пожалуйста, протрите пылесос сухой тканью. Химические растворители, такие как бензин, спирт и масло, не должны использоваться, в противном случае оболочка может треснуть или потерять цвет.
2. Пожалуйста, выключите пылесос, если необходима чистка и обслуживание.
3. Удалите мусор из мешка, чтобы обеспечить плавную вентиляцию и избежать блокировки, которая может привести к снижению всасывания или нагрева двигателя.
4. Рекомендуется заменять фильтр каждые три месяца. Если пылесос часто используется, период замены может быть сокращен в соответствии с фактическим использованием.

Примечания к инструкции по электропитания

1. Во время зарядки пылесос находится в режиме ожидания и не может нормально использоваться.
2. Использованные батареи следует передавать на утилизацию в специализированные предприятия, выбрасывать их вместе с бытовым мусором запрещено;
 - Перед тем, как выбросить продукт, извлеките из него батарею;
 - Перед извлечением батареи выключите продукт.
 - Батарею следует передать на утилизацию в специализированное предприятие.
3. В случае повреждения электрического кабеля его необходимо заменить специальным шнуром питания, приобретенным у производителя или в отделе сервисного обслуживания

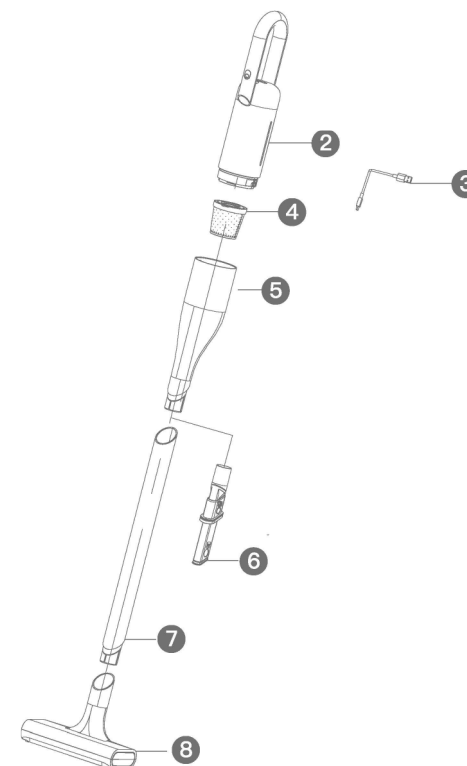
Порядок утилизации



1. Снимите силиконовую накладку из отверстия винта на корпусе. С помощью специальной отвертки отожмите три винта, как показано на рис. 1–1.
2. Порядок отделения корпуса от внутренней части показано на рис. 1–2.
3. При помощи специальной отвертки открутите четыре винта с боковой части прибора для того, чтобы снять блок батареи, как это показано на рис. 1–3.
4. С помощью специальной отвертки открутите два винта с верхней части блока батареи, и, используя ножницы, разрежьте фольгированную полосу, которой соединены четыре батареи. После этого батарею можно вынуть и утилизировать, как это показано на рис. 1–4.

Компоненты продукта

Схема соединений и составления компонентов



После распаковки, пожалуйста, проверьте содержимое на наличие дефектов. Если обнаружили дефекты, пожалуйста, свяжитесь с сервисом послепродажного обслуживания.

- ① Силиконовый держатель ② Корпус ③ Кабель зарядки Type-C ④ Фильтр в сборе
⑤ Пылесборник в сборе ⑥ Плоская насадка 2 в 1 ⑦ Соединительная трубка ⑧ Щетка в сборе

Примечание: Приведенные выше характеристики и конфигурации могут отличаться от характеристик приобретенного продукта, полагайтесь на приобретенный продукт.

Технические характеристики

Параметры и характеристики

а. Параметры

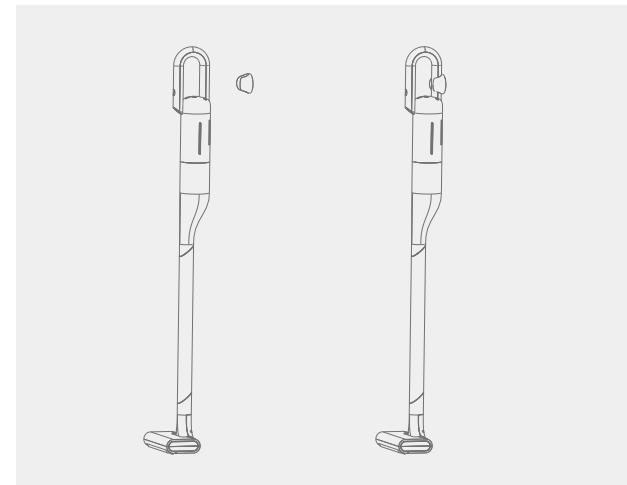
Название	Ручной беспроводной пылесос	Модель	VC01
Номинальное напряжение	14.4В ---	Номинальная мощность	125 Вт
Емкость литиевой батареи	2200 мАг	Габариты	210 x 180 x 1155 мм
Минимальное напряжение	5В ---	Врядный ток	1А/2А/2.5А/3А
вес	1.6 кг	Объем пылесборника	0,6 л
Продолжительность (стандартная скорость / высокая скорость)	Примерно 30 / 15 минут	Материал	ABS
Уровень шума	≤ 80 дБ (А)		

б. Характеристики

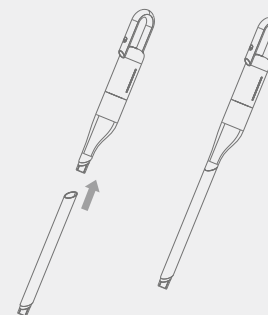
1. Внешний вид продукта модный и усовершенствован. Щетка для пола соединена с пылесосом металлической алюминиевой трубкой с исключительной текстурой.
2. Конструкция комбинированного типа, рычаг встроен в ручку. Щетка съемная, корпус может использоваться отдельно с другими аксессуарами для многофункциональных целей.
3. Многоступенчатая система фильтрации "Циклон + Воздушный фильтр тонкой очистки" обеспечивает не только высокую эффективность фильтрации пыли, но и чистоту.
4. Конструкция замка пылесборника и корпуса позволяет быстро его разбирать и высыпать пыль.
5. Беспроводная и легкая конструкция обеспечивает удобную и комфортную работу, что позволяет избежать заедания кабеля, замены розетки и других проблем.
6. Пластиковая труба для соединения.

Инструкции

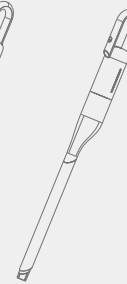
Снимите держатель с задней части ручки корпуса и прикрепите его к стене на уровне ручки. Вставьте устройство в держатель, как показано на рисунке.



1. Соедините трубку (рис. 1 –1) с корпусом в соответствии с направлением, показанного на рисунке; обратите внимание на правильность соединения, два шлица должны совпасть. Убедитесь в надежности соединения, как показано на рисунке 1–2.

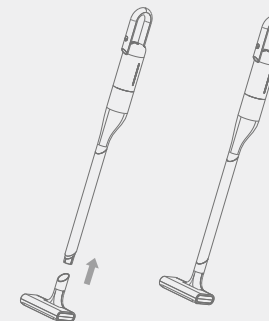


(Рис. 1–1)



(Рис. 1–2)

2. Соедините щетку (рис. 2 –1) с трубкой в соответствии с направлением, показанного на рисунке; обратите внимание на правильность соединения, два шлица должны совпасть. Убедитесь в надежности соединения, как показано на рисунке 2–2.

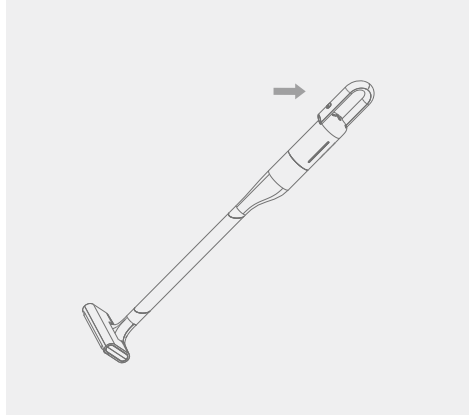


(Рис. 2–1)

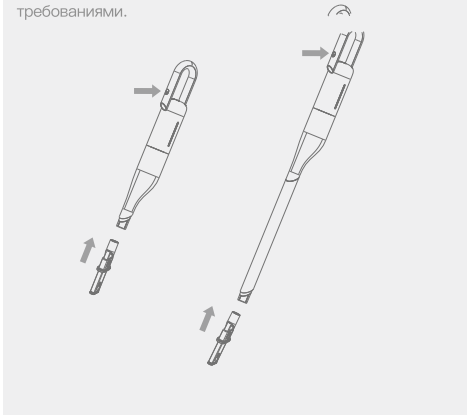


(Рис. 2–2)

3. Нажмите на кнопку Power для того, чтобы включить пылесос. Пылесос включается в стандартном режиме. Если нажать эту кнопку еще раз, пылесос переходит в режим усиленного всасывания. Еще одним нажатием кнопки пылесос выключается. Для того, чтобы включить пылесос, снова нажмите на кнопку еще раз.



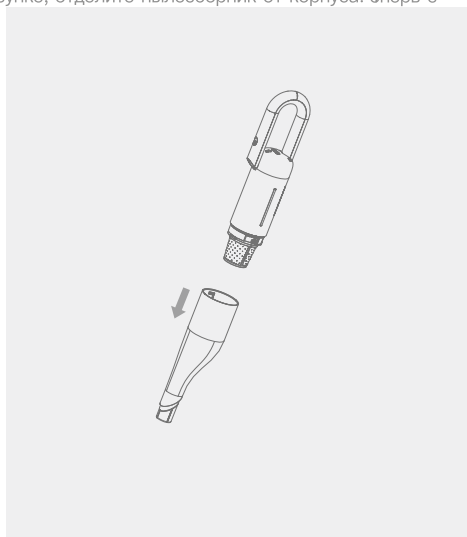
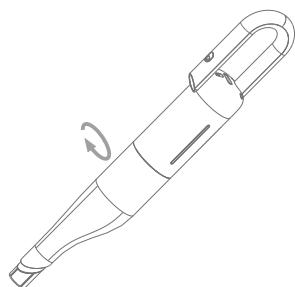
4. Соедините плоскую насадку 2 в 1 с корпусом или с трубкой (в зависимости от нужной длины прибора) в соответствии с направлением, показанным на рисунке. Убедитесь в надежности соединения и нажмите кнопку Power для того, чтобы включить пылесос и использовать в соответствии с различными функциональными требованиями.



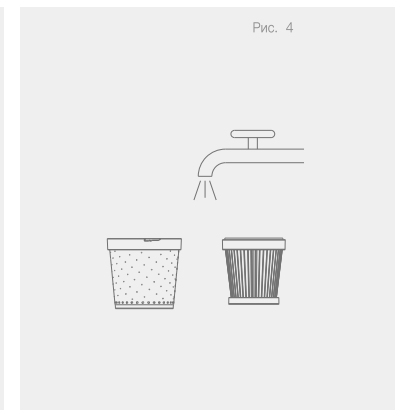
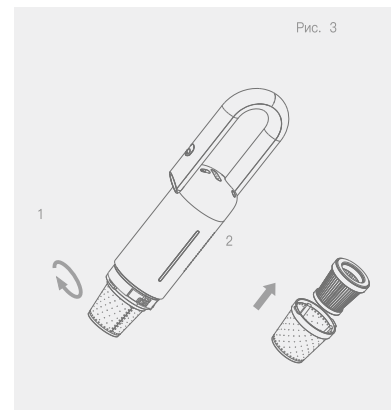
Уход и обслуживание

Снятие, очистка и установка пылесборника.

1. Вращая пылесборник в соответствии с направлением, показанным на рисунке, вытяните пылесборник в положении, в котором стрелка указывает на значок открытого замка.
2. В соответствии с направлением, показанным на рисунке, отделите пылесборник от корпуса. Теперь с пылесборника можно высыпать мусор.



3. Согласно направлению, показанному на рисунке, поверните фильтр и выньте его.
4. Промойте фильтр проточной водой после очистки и просушите перед установкой.



Режим подзарядки



1. Зарядка. Четыре светодиода последовательно мигают и светятся синим цветом. В процессе зарядки один светодиодный индикатор светит, когда уровень заряда батареи достигает 25%, два светодиода светят, когда уровень заряда батареи достигает 50%, три светодиода светят, когда уровень заряда батареи достигает 75%, четыре светодиода светят, и зарядка автоматически останавливается, когда уровень заряда батареи достигает 100%. Индикаторы выключаются, когда достигается значение защиты от чрезмерного разряда.
2. В случае, когда зарядки недостаточно: четыре светодиода светятся, а красная лампа мигает в течение 3 с.

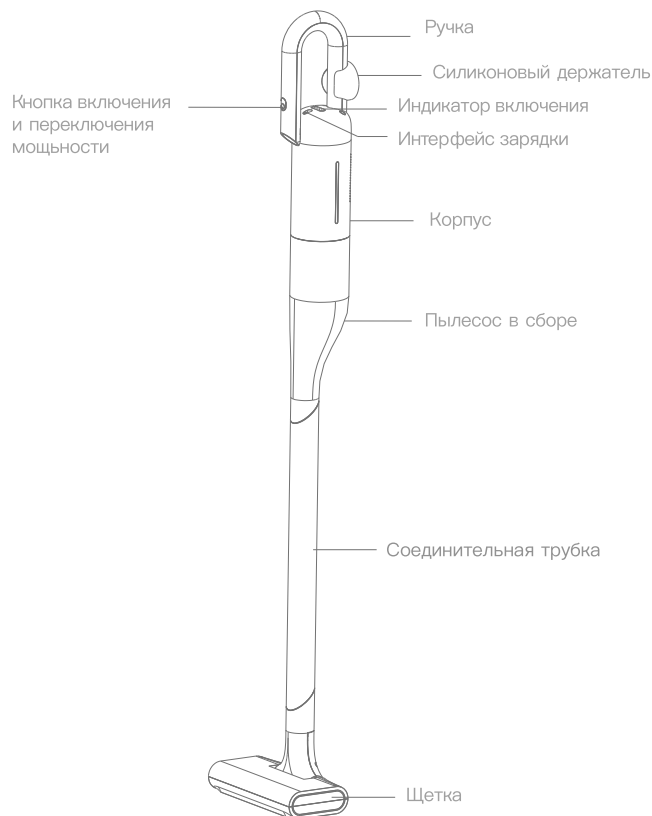
Время зарядки:

1. Время зарядки при 1A < 8,5 часов
2. Время зарядки при 2A < 4,5 часа
3. Время зарядки при 2,5A < 3,5 часа
4. Время зарядки при 3A < 3 часа

Статус индикатора

Конструкция имеет четыре светодиодных индикатора. После включения светится один индикатор. Индикаторные лампы светятся в течение 3 секунд, а затем угасают после выключения устройства. Когда первый синий индикатор погаснет, это означает, что потреблено 25% энергии; Когда второй синий индикатор погаснет, это означает, что потреблено 50% энергии; Когда третий синий индикатор погаснет, это означает, что потреблено 75% энергии; Когда четвертый синий индикатор погаснет, это означает, что пылесос полностью разряжен. Если вы принудительно включите пылесос после того, как батарея разряжена, 4 индикатора трижды мигают одновременно, указывая на то, что пылесос можно использовать после зарядки.

Зарядка Четыре светодиодных индикатора последовательно мигают и светятся синим цветом. В процессе зарядки один светодиодный индикатор светится, когда уровень заряда батареи достигает 25%, два светодиодных индикатора светятся, когда уровень заряда батареи достигает 50%, три светодиодных индикатора светятся, когда уровень заряда батареи достигает 75%, четыре светодиодных индикатора светятся, и зарядка автоматически останавливается, когда уровень заряда батареи достигает 100%. Индикаторы выключаются, когда достигается значение защиты от чрезмерного разряда.



Устранение неисправностей

Неисправность	Анализ причин	Устранение неполадок
Не работает двигатель	<ol style="list-style-type: none"> 1. Низкий уровень заряда батареи 2. Пылесборник переполнен 3. Слишком длительная эксплуатация и высокая температура 	<ol style="list-style-type: none"> 1. Зарядка аккумулятора пылесоса 2. Очистите пылесборник 3. Перезапустите пылесос после охлаждения
Ухудшилось всасывания	<ol style="list-style-type: none"> 1. Пылесборник переполнен или забился фильтр 2. В одной из трубок забилось мусора 3. Мусор забилось в металлической сетке 4. Кнопка разъединения трубки заблокирована 	<ol style="list-style-type: none"> 1. Очистите мешок или замените фильтр 2. Удалите мусор с электрической щетки для пола. 3. Регулярно проверяйте металлическую сетку на наличие грязи 4. Регулярно проверяйте стык между пылесборником и пылесосом
Индикатор не горит или не мигает во время зарядки	<ol style="list-style-type: none"> 1. Адаптер не подключен к розетке 2. Слишком высокая температура батареи 	<ol style="list-style-type: none"> 1. Проверьте, правильно ли подключен адаптер 2. Подождите, пока батарея остынет, прежде чем заряжать

Примечание Если пылесос не может работать в обычном режиме, выполните поиск неисправностей самостоятельно или своевременно обратитесь в сервисную службу.

Режим устранения неисправностей

Причины	Решения
Температурная защита во время зарядки	Синий индикатор мигает с частотой 3 Гц в течение 3:00, а температура не падает до температуры восстановления. Синий индикатор гаснет.
Температурная защита подзарядки	В процессе зарядки синий индикатор мигает с частотой 1 Гц (зарядка не происходит), а температура не падает до температуры восстановления после 3 часов. Синий индикатор гаснет.
Восстановлено температурную защиту подзарядки	Когда температура падает до температуры восстановления, зарядка батареи автоматически восстанавливается, и синий индикатор мигает с частотой 1 Гц.
Температурная защита разрядки	Прибор выключен, индикатор не показывает статус
Нажатие кнопки и после срабатывания защиты от чрезмерного разряда, и когда после срабатывания зарядки не происходит	Синий индикатор мигает с частотой 3 Гц в течение 3 секунд, и кнопка не работает в течение 3 секунд.
Защита от короткого замыкания	Синий индикатор мигает с частотой 6 Гц в течение 6 секунд и кнопка не работает в течение 3 секунд.
Защита от перенапряжения	Синий индикатор мигает с частотой 10 Гц в течение 10 секунд, и кнопка не работает в течение 3 секунд.
Разрядка	Синий индикатор светится во время разрядки и мигает с частотой 1 Гц, когда напряжение падает ниже 19,2 В.
Защита от короткого замыкания	Синий индикатор быстро мигает в течение 6 секунд, и кнопка не работает в течение 6 секунд.